

STEP 1

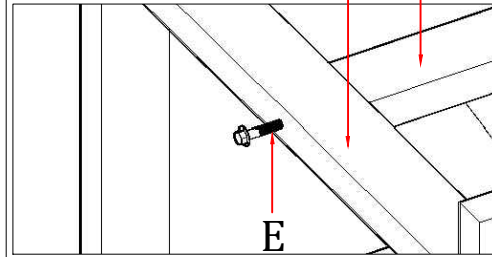
install component C To B With Bolt ,ring

STEP 2

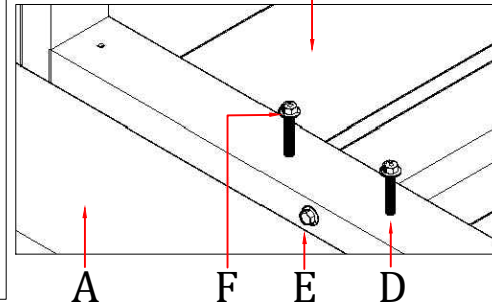
install component B & C To A With Bolt ,ring

ASSEMBLY INSTRUCTION

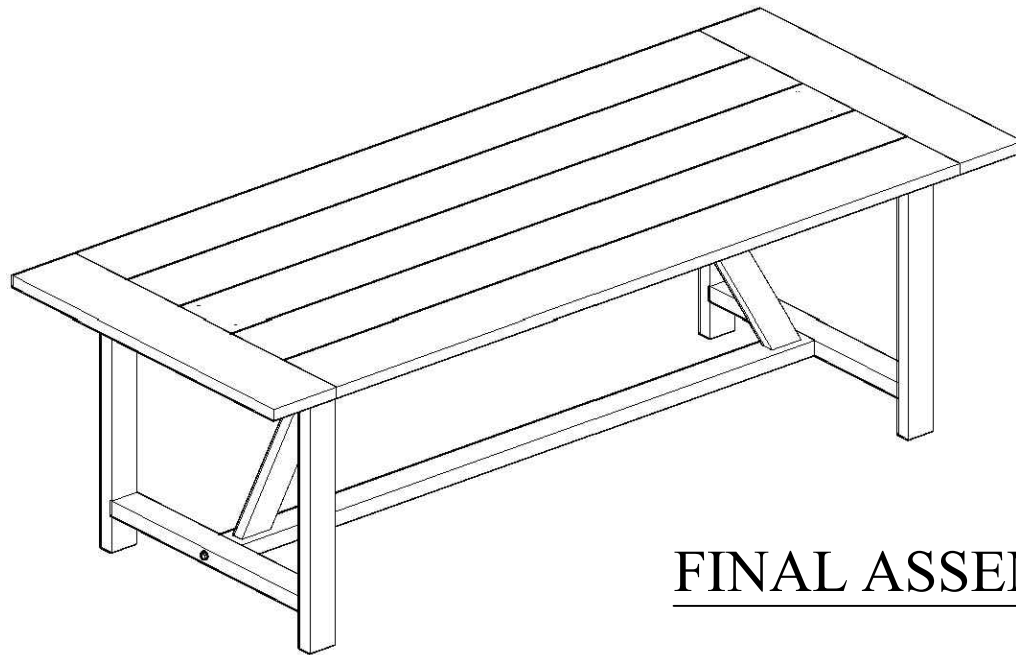
DETAIL A



DETAIL B



PART	QTY	COMPONENT
A	1	TOP
B	2	LEG L/R
C	1	LEG SUPPORT
D	5	BOLT A
E	4	BOLT B
F	9	RING



FINAL ASSEMBLY