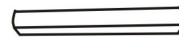


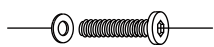
43321



A x1



B x4



AA x8

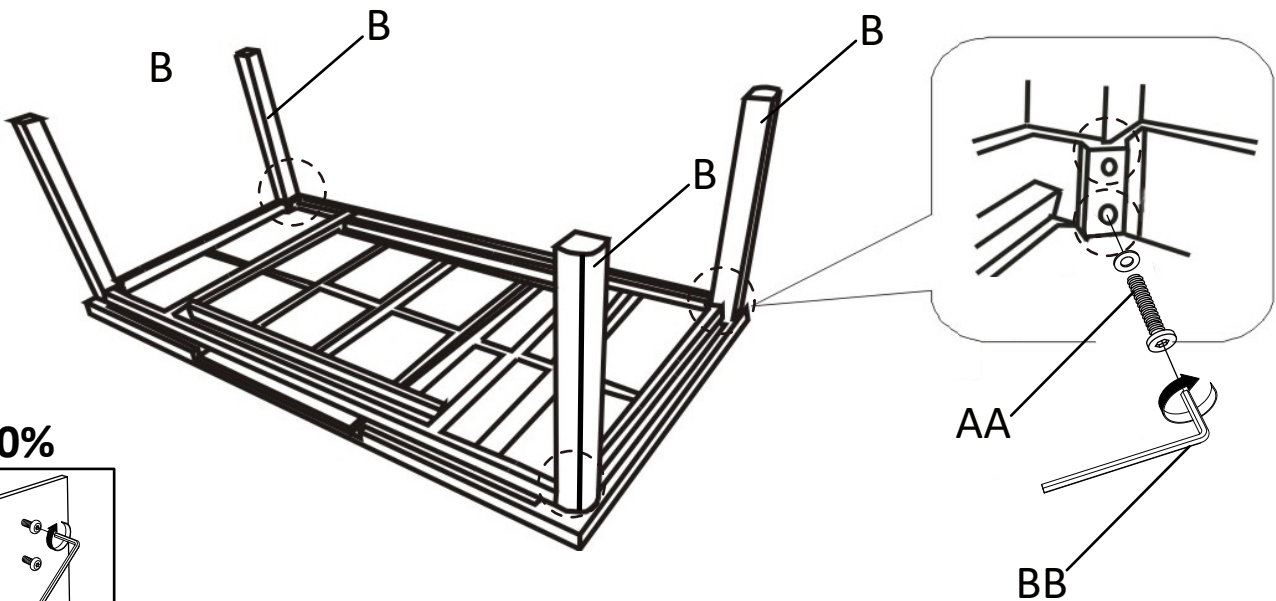
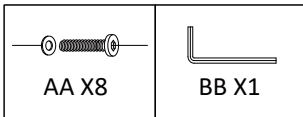


BB x1

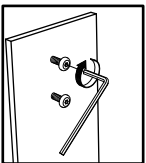
43321



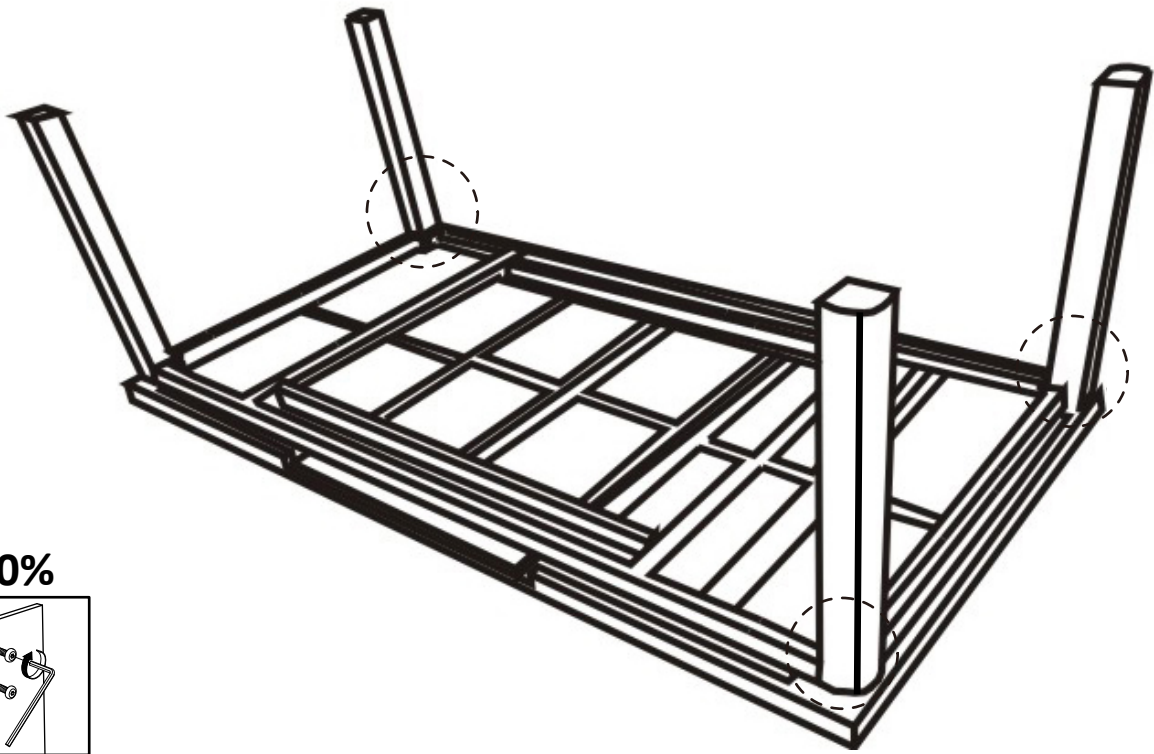
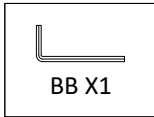
1



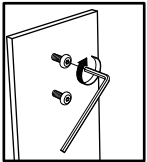
50%



2



100%



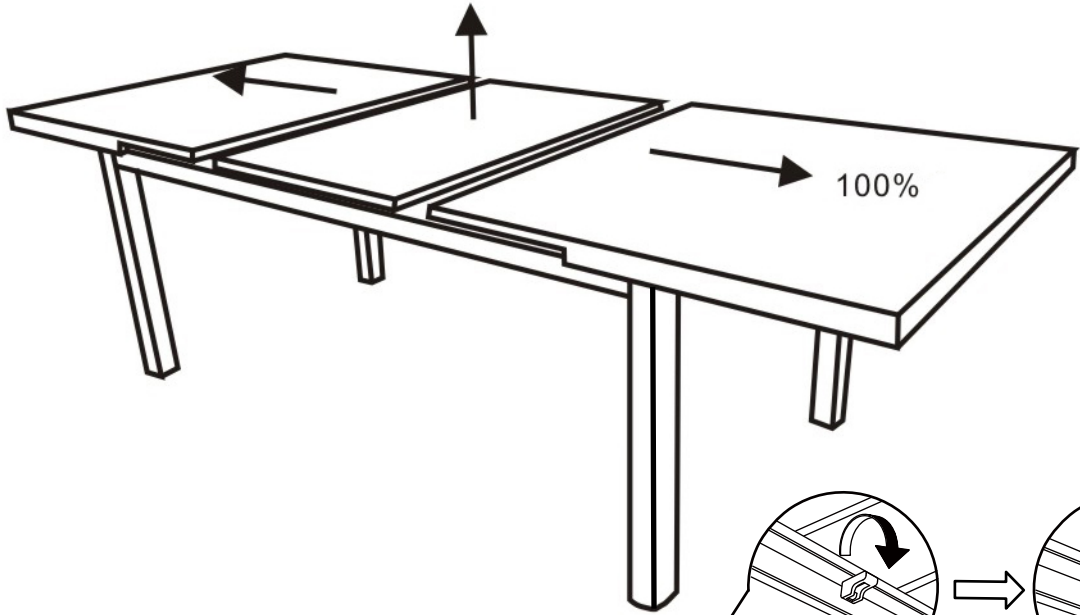
3



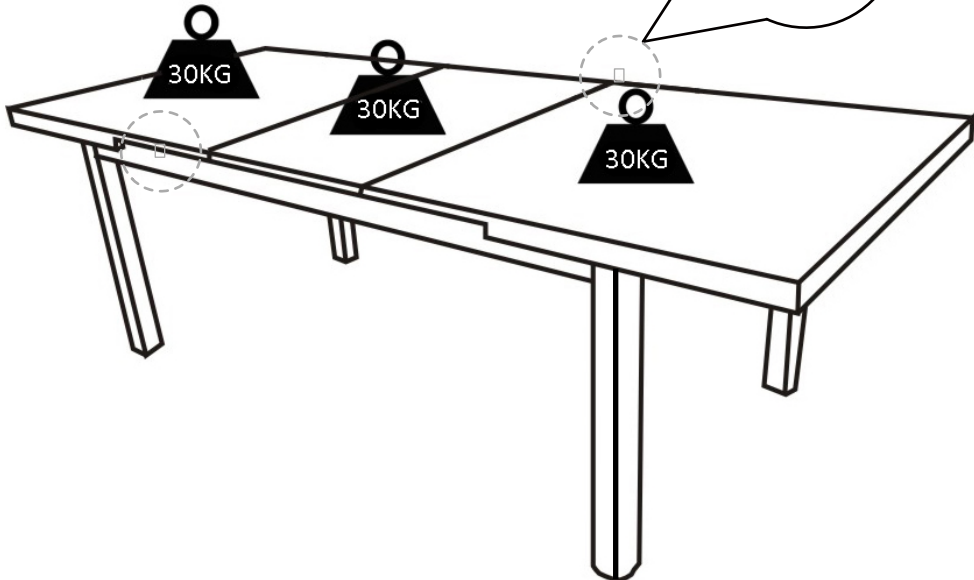
1



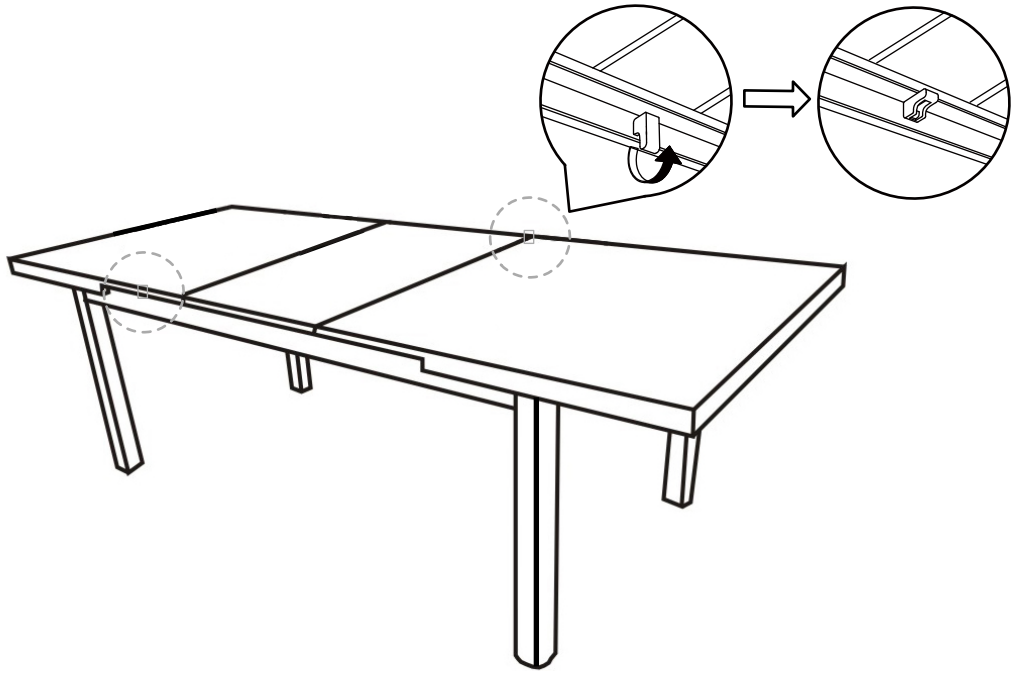
2



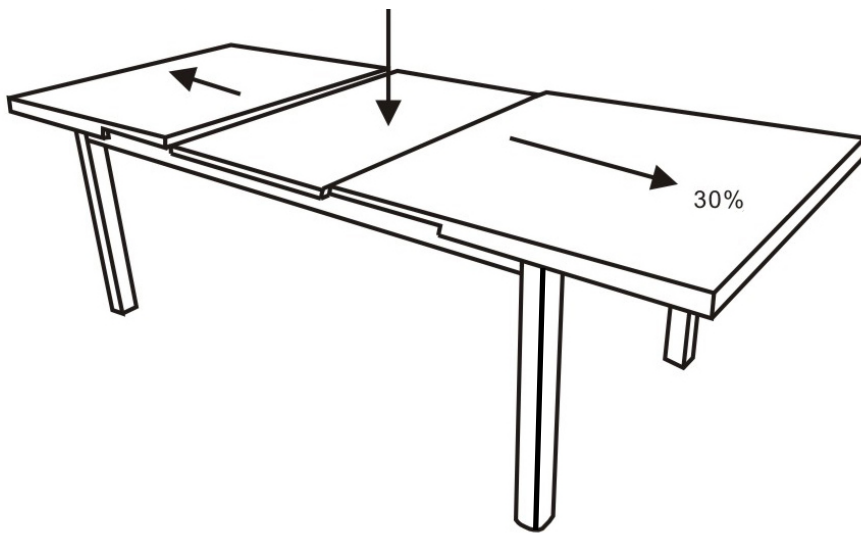
3



4



5



6

